



BOLL Duplex Filter TYPE 2.04.5

with flange connections DN 25 – DN 80
available with heating

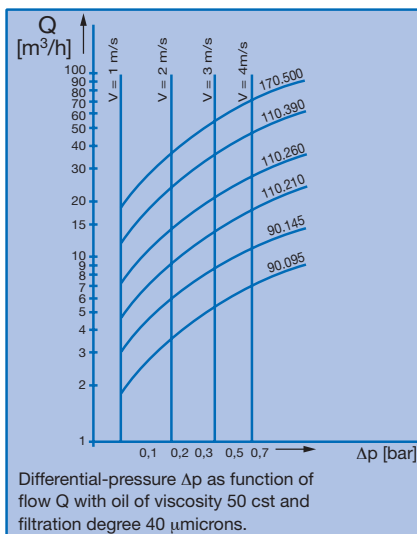
APPLICATION

Filtration of all liquids. For installation into suction or pressure pipework to protect plant components (valves, pumps, pressure gauges, nozzles etc.) preventing accumulation of dirt and sludge.

OPERATION

The Duplex Filter 2.04.5 allows change-over during operation without pressure-loss. The filter is compact and easy to maintain, requiring only manual cleaning when maximum allowable pressure drop is reached.

When maximum pressure drop is reached the standby filter chamber is brought on line simultaneously as the dirty one is isolated by means of the change-over valve. After venting, the dirty element can be removed, cleaned and refilled to be the standby filter chamber.



OPTIONAL ACCESSORIES

Differential pressure indicator type 4.36 can be supplied fitted at factory. The filter elements can be fitted with magnetic bars.



CLEANING

- Switch change-over valve to clean filter chamber
- Release pressure in the contaminated filter chamber by means of venting screw
- Lift the cover of the contaminated filter chamber
- Remove filter element
- Soak filter element in cleaning fluid, e.g. BOLL-CLEAN 2000, and clean with compressed air

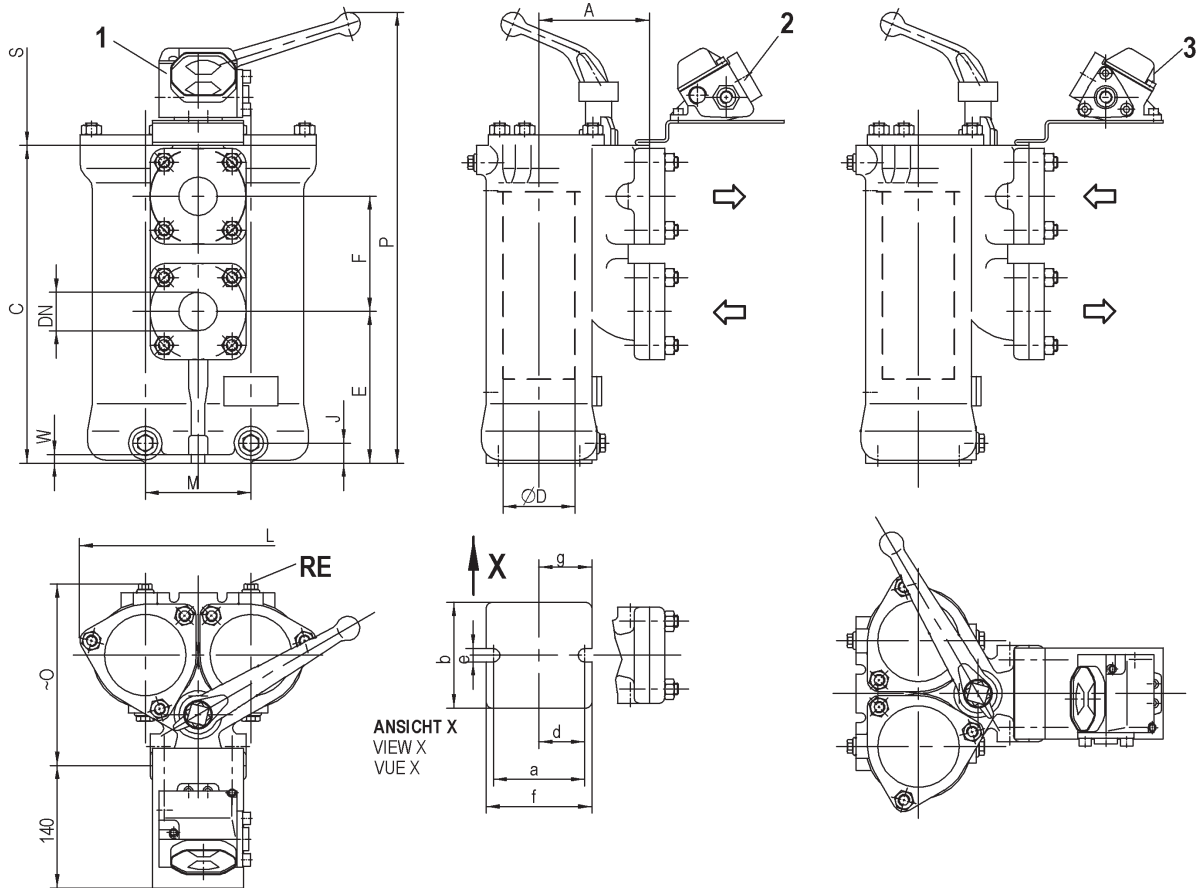
For details see operating instructions manual "filter element cleaning"

TECHNICAL CHARACTERISTICS

- Filter housing of cast iron or ductile iron; internally nickel lined for water application
- Change-over valve of cast iron; water filters rubber-lined
- Optionally star-pleated ❶ or basket ❷ filter element, star-pleated element also available as disposable filter element
- Filter fineness: 10 microns to 5 mm
- Operating pressure cast iron up to 16 bars ductile iron up to 25 bars

THE DETAILS

Z45540 - Type 2.04.5.



RE ENTLÜFTUNG G1/4
AIR ESCAPE
DÉSAÉRATION G1/4

RS ENTLERUNG G3/8
DRAIN
VIDANGE G3/8

GEHÄUSE GEGOSSEN
CASTED CASING
CORPS MOULÉ

FLANSCHANSCHLUSS:
FLANGED JOINT:
RACCORD A BRIDÈS:

1 AUF WUNSCH . ON REQUEST . SUR DEMANDE
DIFFERENZDRUCKANZEIGER (DDA)
DIFFERENCE PRESSURE INDICATOR
INDICATEUR DE DIFFÉRENCE DE PRESSION

BETRIEBSÜBERDRUCK:
WORKING PRESSURE:
PRESSION DE SERVICE:

STIFTSCHRAUBE DIN939
STUD BOLT DIN939
BOULON DIN939

2 DDA-ANBAU U. DURCHFLUSSRICHTUNG F. STERNSIEBE
DPI-INSTALLATION AND FLOW DIRECTION
FOR STAR-ELEMENT
IDP-ASSEMBLAGE ET DI RECTION DE PASSAGE
POUR PANIERS À ÉTOILE

GEHÄUSE AUS EN-GJL-250
16 BAR BEI 200°C
CASING OF EN-GJL-250
16 BAR AT 200°C
CORPS EN EN-GJL-250
16 BAR À 200°C

DN	K	m
25	80	M10
32	80	M10

3 DDA-ANBAU U. DURCHFLUSSRICHTUNG F. KORBSIEBE
DPI-INSTALLATION AND FLOW DIRECTION
FOR BASKET-ELEMENT
IDP-ASSEMBLAGE ET DI RECTION DE PASSAGE
POUR PANIERS À CORBEILLE

GEHÄUSE AUS EN-GJS-400-15
25 BAR BEI 120°C
CASING OF EN-GJS-400-15
25 BAR AT 120°C
CORPS EN EN-GJS-400-15
25 BAR À 120°C

DN	K	m
40	100	ø14
50	110	ø14
65	130	ø18
80	150	ø18

S SIEBAUSBAU
FOR DISMOUNTING THE FILTER ELEMENT
DEMONTAGE DU PANIER

BESTELLBEISPIEL
ORDERING EXAMPLE
EXEMPLE DE COMMANDE

TYP	øG	Q	DN
2.04.5	90	145	32

ALLGEMEINTOLERANZEN DIN ISO 2768-V
TOLERANCE DIN ISO 2768-V
TOLÉRANCE DIN ISO 2768-V

øG	Q	DN		A	C	øD	E	F	J	L	M	~O	P	S	a	b	d	e	f	g	w	VOL. LITER	KG
		MIN.	MAX.																				
90	95	25	32	95	199	65	79	80	22	206	92	159	363	170	95	92		12	110		10	2X1	17
90	145	32	40	95	249	65	129	80	22	206	92	159	413	220	95	92		12	110		10	2X1	18
110	210	40	50	115	330	85	157	120	20	250	110	189	478	300	95	110		14	110		10	2X2	29
110	260	50	65	128	385	85	208	120	20	250	110	202	533	350	95	110		14	110		10	2X3	36
110	390	65	80	180	523	85	317	140	34	260	120	244	685	480	120	65	75	14	200	137	20	2X4	55
170	500	80	100	214	690	124	453	160	50	370	203	307	835	700	174	120	105	18	220	135	25	2X13	107

SUBJECT TO ALTERATIONS

ÄNDERUNGEN VORBEHALTEN!

MODIFICATIONS RÉSERVÉES

DUPLEX FILTER

DOPPELFILTER 2.04.5

FILTRE DOUBLE

