

## BOLLFILTER 1

### Brief Description of Duplex Filter Type 2.05.5 Sieve Element Filter for Water and Chemicals

The BOLL duplex filter type 2.05.5 consists of two filter chambers. One filter chamber is in operation while the other is being cleaned or on stand-by. If contamination exceeds a tolerance threshold, the unit can switch over to the clean filter side without any pulse pressure. The contaminated filter element is then cleaned manually while operation continues. The change-over is performed by a change-over cock. The design of the filter excludes simultaneous isolation of both filter chambers.

#### Execution of the duplex filter

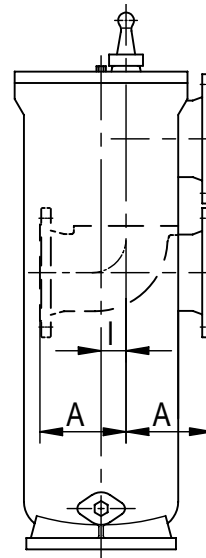
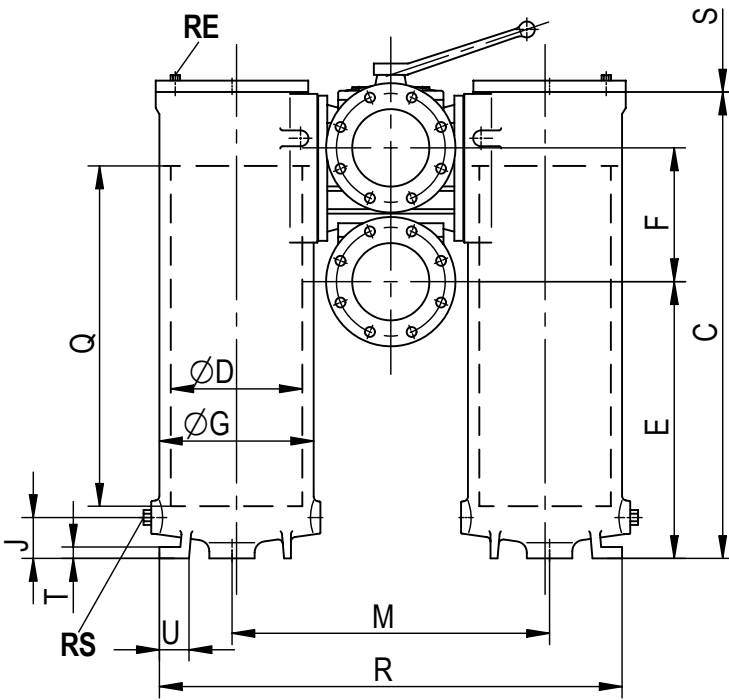
Size / nominal diameter:	DN 100 - DN 250
Housing material:	cast iron, ductile cast iron
Filter element:	basket element
Filter element material:	stainless steel
Optional accessory:	differential pressure indicator optical or electrical

#### Operating data

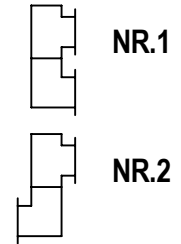
Flow rate:	max. 700 m <sup>3</sup> /h
Allowed operating pressure:	0 - 10 bar
Allowed operating temp.:	max. 60 °C
Grade of filtration:	70 - 2000 micron

<b>Manufacturer:</b>	<b>BOLL &amp; KIRCH Filterbau GmbH</b>
<b>Filter type:</b>	<b>2.05.5</b>





ANORDNUNG DER FLANSCHEN  
DISPOSITION OF THE FLANGES  
DISPOSITION DES BRIDES



N1 FILTEREINTRITT  
FILTERINLET  
ENTRÉE DE FILTRE

N2 FILTERAUSTRITT  
FILTEROUTLET  
SORTIE DU FILTRE

N1/N2 NACH DIN2501 ODER ASME B16.5 150 lbs sq.in.  
ENTSPRECHEND DER DRUCKSTUFE GEBOHRT  
N1/N2 ACC. TO DIN2501 OR ASME B16.5 150 lbs sq.in.  
DRILLED ACC. TO PRESSURE CLASS  
N1/N2 D'APRÈS DIN2501 OU ASME B16.5 150 lbs sq.in.  
PERCÉE SUIVANT ÉTAGE DE PESSION

BEI KORB- ODER RINGSIEB DURCHFLUSS ENTGEGENGESETZT  
WITH BASKET-OR RING-ELEMENTS FLOW IN OPOSITE DIRECTION  
AVEC DES PANIERS A CORBEILLE OU A ANNEAUX LE  
PASSAGE EST EN SENS CONTRAIRE

RE ENTLÜFTUNG G1/2  
AIR ESCAPE  
DÉSAÉRATION

RS ENTLERUNG G1 1/2  
DRAIN  
VIDANGE

S SIEBAUSBAU  
DISMOUNTING THE FILTER ELEMENT  
DÉMONTAGE DU PANIER

\*S=Q BEI MANTELSIEB  
BY MULTI MANTLE ELEMENT  
POUR LE PANIERS À MANTEAUX

GEHÄUSE GEGOSSEN  
CASING CASTED  
CORPS MOULÉ

ALLGEMEINTOLERANZEN DIN ISO 2768-v  
TOLERANCE DIN ISO 2768-v  
TOLÉRANCE DIN ISO 2768-v

AUF WUNSCH, ON REQUEST, SUR DEMANDE

POS.1 DRUCKAUSGLEICH  
EQUALIZATION OF PRESSURE  
ÉQUILIBRAGE DE PRESSION

POS.2 DIFFERENZDRUCKANZEIGER  
DIFFERENCE PRESSURE INDICATOR  
INDICATEUR DE DIFFERÉNCÉ DE PRESSION

BESTELLBEISPIEL  
ORDERING EXAMPLE  
EXEMPLE DE COMMANDE

TYP	ØG	Q	DN
2.05.5	340	750	150

ØG	Q	DN N1/N2	PN/120°C	A	C	ØD	E	F	J	L	M	O	R	*S	I	V	N	ØZ	P	T	U	VOL. L	GEW. KG
265	500	100	10	160	745	230	400	240	75	890	570	395	830	650	40	265	220	14	770	20	65	2x35	235
	995				650		900							2x47								270	
	745	125			377	260	650	35		800	2x35	245											
	995				627		900			2x47	280												
340	500	150	10	190	778	290	360	295	90	1090	700	470	1020	680	55	330	290	18	970	25	65	2x50	350
	750				1020		610							920								2x65	420
420	500	200	10	225	895	356	220	480	90	1385	920	550	1320	760	65	420	360	18	1260	25	80	2x96	585
	750				1110		435							1010								2x126	635
	750	250			270	1155	387	525		1521	1055	603	1455	1010	68							1395	2x136
520	750	250	10	270	1215	434	432	525	95	1720	1160	603	1650	1010	68	520	460	23	1590	25	90	2x218	1110

SUBJECT TO ALTERATION

ÄNDERUNGEN VORBEHALTEN

MODIFICATIONS RÉSERVÉES

DUPLEX FILTER

DOPPELFILTER 2.05.5

FILTRE DOUBLE