

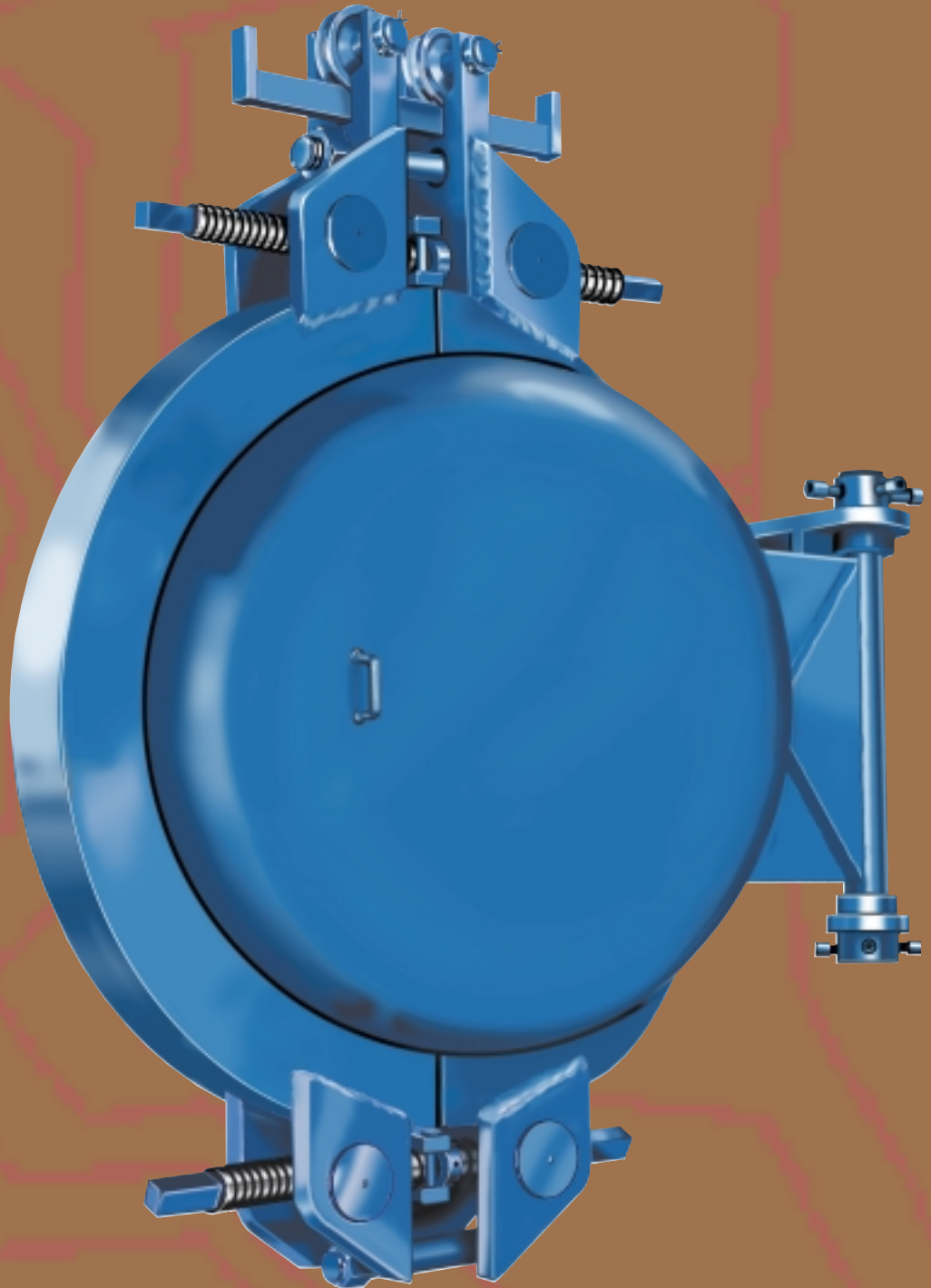
Oil & Gas Vessels



PERRY EQUIPMENT CORPORATION

ISO 9001

QUICK OPENING CLOSURES



ENGINEERED FILTRATION SOLUTIONSSM

QUICK OPENING CLOSURES

FAST & EASY OPERATION

Turns Man Hours into Minutes!

DESIGNED FOR THE OIL, GAS AND PROCESS INDUSTRY

APPLICATIONS

PECO® **QUICK OPENING CLOSURES** have no blind flanges, a welcome benefit when frequent access to vessels is required.

QUICK OPENING CLOSURES provide both a practical and an economical solution for a variety of applications.

- Blowdowns
- Scrapper and Pig Traps
- Access opening on Scrubbers, Filters, Strainers, etc.
- Chemical Reactors
- Pressure Vessels
- Shell and Tube Heat Exchangers
- Autoclave Doors
- Manways in Pressure Vessels
- Meter Provers
- Terminal Manifolds
- Storage Tanks

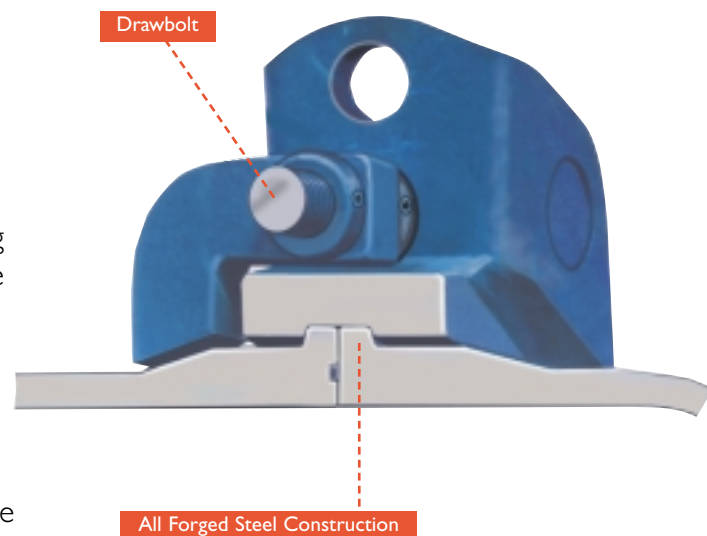


OPERATIONS

Coupled with ball bearing hinges, this system eliminates thread binding problems on drawbolts.

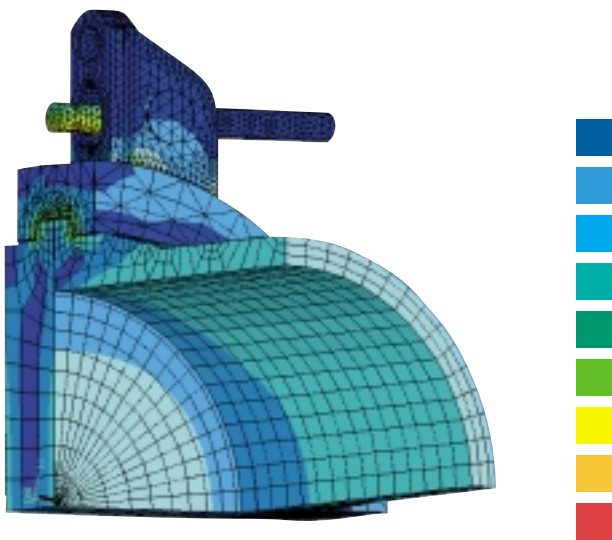
One person with standard wrenches can open and close the largest PECO® closure. Opening is as simple as venting pressure, checking the Pressure Warning Device, removing safety bolts and turning drawbolts to disengage the two piece yoke. The head then swings open easily.

A trolley system, which bears the weight of the yoke, assures the same quick, convenient operation on larger closures.



NEW TECHNOLOGY TESTED TO HIGH PRESSURE

The PECO® Quick Opening Closure has been fully tested under extreme high pressure for its performance.



10" PECO Closure under 2000 psi Design Pressure

DESIGN FABRICATION FEATURES

PECO® **QUICK OPENING CLOSURES** are fabricated from ASTM A-105N or A-350-LF2 and forgings or ASTM A-516-70 plate. For special applications, PECO® closures can be furnished in alloy materials, as well as weld overlaid. The PECO® closure is also available in MS ratings, or may be custom designed under ASME VIII, Div. 1, Appendix 24, Div 2, or other applicable construction code authority.

QUICK OPENING CLOSURES are manufactured from ring rolled forgings that permit larger closure designs and are not limited to standard diameters. Closures can be designed for the customer's exact operating requirements, rather than using the (often heavier than required) ANSI series flanges.

Perry Equipment Corporation, for 70 years a leader in the manufacture of filtration/separation equipment, is proud of its service to the international oil, gas and petrochemical industries. PECO® engineers are meeting the challenge of these ever changing industries by continuing to improve the performance of existing products and developing new products and equipment. A world wide network of sales representative offices provides fast and convenient access to PECO® Technology.

For information on PECO® SafeLock® Closures, contact your local sales representative or Perry Equipment Corporation.



QUICK OPENING CLOSURES for Horizontal Closures

400# & 600# ANSI RATING		DIMENSIONS INCHES						WT.
NOM Size	FIG.	A	B	C	D	E	F	LBS.
6	1	4	13	8	8	14	11	106
8	1	4	15	9	8	16	17	138
10	2	5	22	15	9	25	26	272
12	2	6	23	16	10	30	30	369
14	2	6	23	16	10	31	31	446
16	2	6	24	19	11	34	35	512
18	2	6	15	20	11	47	37	753
20	2	6	17	21	11	39	39	882
22	2	6	19	23	12	44	42	1163
24	2	6	20	24	12	46	45	1479
26	2	7	18	26	13	49	50	2002
28	2	8	19	28	15	52	54	2134
30	2	8	20	29 1/2	15	60	56	2494

NOTE: Closures designed for higher pressures or larger diameters are available.

150# & 300# ANSI RATING		DIMENSIONS INCHES						WT.
NOM Size	FIG.	A	B	C	D	E	F	LBS.
6	1	4	13	8	8	14	11	106
8	1	4	15	9	8	16	17	138
10	2	5	11	15	9	25	26	272
12	2	6	12	16	10	29	30	323
14	2	6	12	16	10	30	30	354
16	2	6	13	17	10	33	32	415
18	2	6	15	19	10	35	35	554
20	2	6	16	20	10	37	38	631
22	2	6	17	21	10	39	39	721
24	2	6	18	22	11	42	42	930
26	2	6	16	24 1/2	11	43	46	1380
28	2	6	17	25 1/2	11	48	48	1486
30	2	6	19	27	12	50	50	1685

NOTE: Closures designed for higher pressures or larger diameters are available.

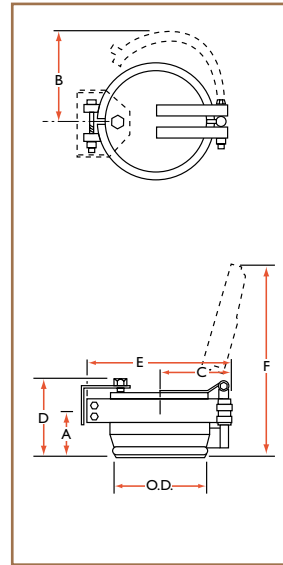


Figure 1

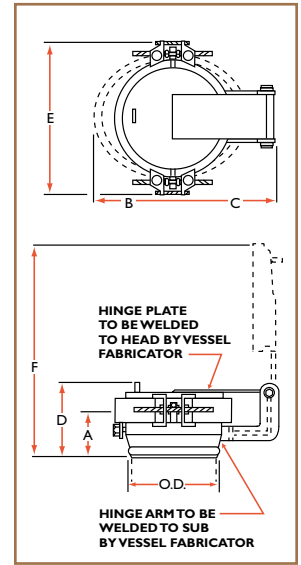
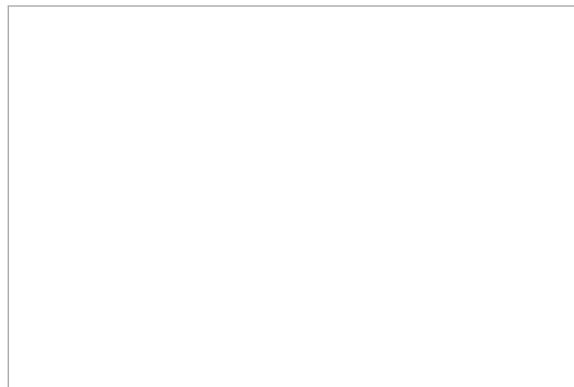


Figure 2



e-mail: vessels@perryequipment.com
web site: www.perryequipment.com

Your local distributor:



Please refer to www.perryequipment.com for your most current literature edition and address information.