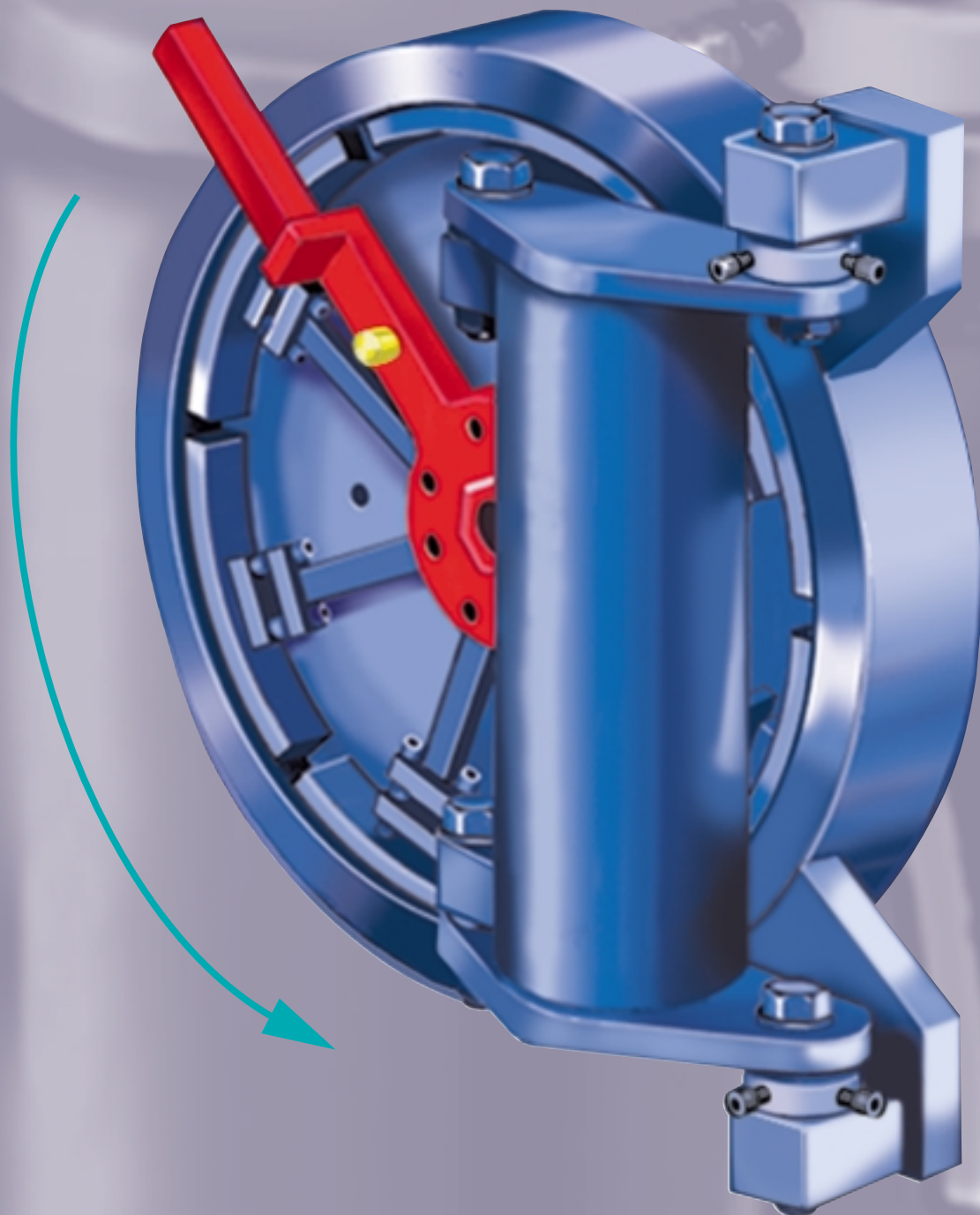




ISO 9001

PERRY EQUIPMENT CORPORATION

SAFELOCK



ENGINEERED FILTRATION TECHNOLOGIES

US Patent 6,439,415 B1

PECO SAFELOCK CLOSURE®

SAFE OPERATING CLOSURE

Fast. Easy. Economical.

DESIGNED FOR THE OIL AND GAS INDUSTRY

APPLICATIONS

In applications where safety is paramount, or when quick and frequent access to a vessel is required, the **PECO SAFELOCK CLOSURE®** is the ideal solution.



LOW MAINTENANCE COST!

PECO SAFELOCK CLOSURE® provides both a practical and an economical solution for a variety of applications.

- Blowdowns
- Scraper and Pig Traps
- Access opening on Scrubbers, Filters, Strainers, etc.
- Chemical Reactors
- Pressure Vessels
- Shell and Tube Heat Exchangers
- Autoclave Doors
- Manways in Pressure Vessels
- Meter Provers
- Terminal Manifolds
- Storage Tanks

NO TOOLS REQUIRED!

OPERATIONS

There is no chance of fast fracture during operation because the main loading member segment ring is in compression.

THE PECO SAFELOCK CLOSURE® is easily opened by first removing the SAFgard® pressure warning device to check for internal pressure. Once, zero internal pressure is confirmed, the EZYOpen lever is pulled down or pushed up by hand to its open position, retracting the segment rings. Then, the closure lid is simply pulled out and swung aside, granting access to the vessel or pipeline.



US Patent 6,439,415 B1

The PECO SAFELOCK CLOSURE® reduces opening and closing time, saving operational cost.

DESIGN FABRICATION FEATURES

The PECO SAFELOCK CLOSURE® is designed using sophisticated design tools, including finite element analysis software, to meet the requirements of ASME VIII Div. I.

The PECO SAFELOCK CLOSURE® is fabricated from 350-LF2 forgings and ASTM A-516-70 plate material. For special applications, the PECO SAFELOCK CLOSURE® can be furnished using alloy materials. The PECO SAFELOCK CLOSURE® is also available in standard ANSI ratings, or may be custom designed under ASME VIII, Div. I requirements, as well as many other applicable construction code authorities.

Finite Element Analysis Method

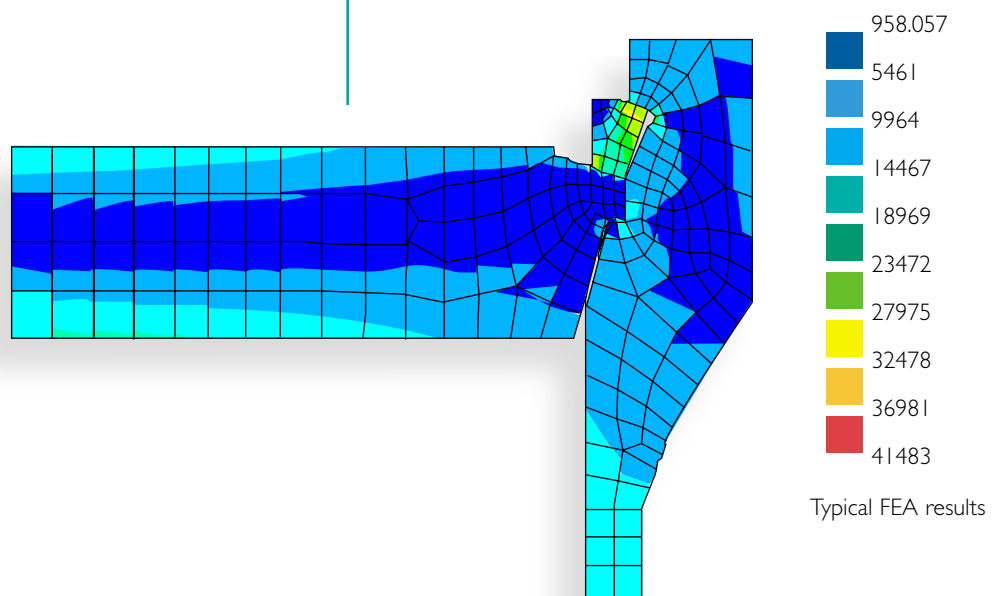
All PECO SAFELOCK CLOSURES® are computer designed. Closures are analyzed using the latest Finite Element Analysis (FEA) software..

ACCURALIGN SYSTEM

The PECO SAFELOCK CLOSURE® features the proprietary Accuralign System to allow easy realignment of the swing arm assembly in the field without having to rely on factory field service technicians.

NEW TECHNOLOGY TESTED TO HIGH PRESSURE

The PECO SAFELOCK CLOSURE® design has been fully tested and performance verified under extreme pressures.



Perry Equipment Corporation, for more than 64 years a leader in the manufacture of filtration/separation equipment, is proud of its service to the international oil, gas and petrochemical industries. PECO's engineers are meeting the challenge of these ever changing industries by continuing to improve the performance of existing products and developing new products and equipment. A world wide network of sales representative offices provides fast and convenient access to PECO Technology.

For more information on PECO SafeLock Closures, contact your local sales representative or Perry Equipment Corporation.





e-mail:

vessels@perryequipment.com

web site:

www.perryequipment.com

Corporate Offices & Plant

PERRY EQUIPMENT CORPORATION

Wolters Industrial Park

P.O. Box 640

Mineral Wells, Texas 76068

Telephone: 940-325-2575

800-877-PECO

Telefax: 940-325-4622

e-mail: mwsales@perryequipment.com

Houston Branch Office

1758 West Sam Houston Parkway N.

Houston, Texas 77043-3115

Telephone: 713-973-2575

Telefax: 713-467-0475

e-mail: houstonsales@perryequipment.com

**Perry Equipment
Italiana S.R.L.**

via Camozzi, 106

24121 Bergamo (BG)

Italy

Telephone: 3903-523-6340

Telefax: 3903-523-6380

e-mail: italysales@perryequipment.com

Perry Equipment De México

Parque Industrial Benito Juárez

Acceso III, 4-A

Querétaro, Querétaro, México C.P. 76120

Telephone: 52-42-10-34-89

Telefax: 52-42-10-90-39

Parque Industrial Querétaro

Calle Cerrada La Noria #108

Santa Rosa Jaurequi

Querétaro, Querétaro, México C.P. 76220

e-mail: mexicosales@perryequipment.com

**Perry Equipment
Corporation**

S.E. ASIA REGIONAL OFFICE

35-4 Jalan SP2/1

Taman Serdang Perdana, Seksyen2,

43300 Seri Kembangan

Selangor D.E., Malaysia

Telephone: 603-8941-2366

Telefax: 603-8941-1366

e-mail: asiasales@perryequipment.com

Peco Filters, Ltd.

1351 Hastings Crescent S.E.

Calgary, Alberta

Canada T2G-4C8

Telephone: 403-243-6700

Telefax: 403-287-9304

e-mail: canadales@perryequipment.com

European Offices

PERRY EQUIPMENT LTD.

Brunel Business Court

Brunel Way, Thetford

Norfolk IP24 1HP

England

Telephone: 01842 821000

Telefax: 01842 821050

e-mail: uksales@perryequipment.com

www.perry-equipment.co.uk