



**BOLLFILTER**  
Protection Systems

Industry & Environment

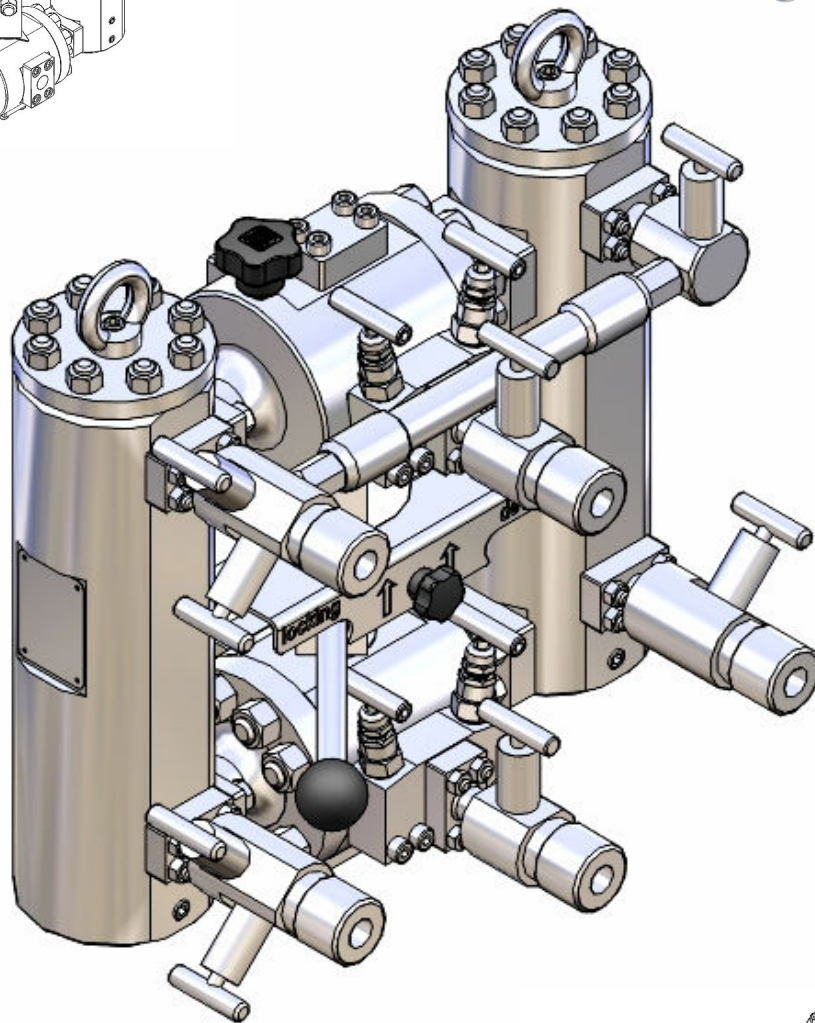
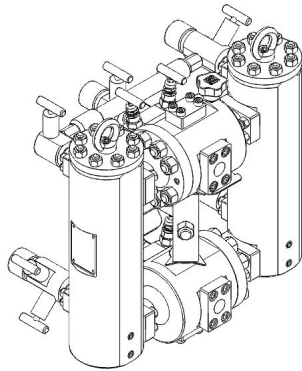
Oil & Gas

**BOLLFILTER Duplex**

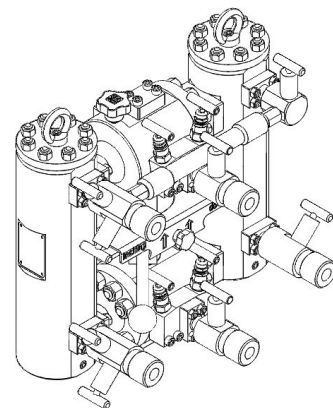
**Type BFD-C**

**Double Block and Bleed**

*next generation!*



**High End Gas Filtration**





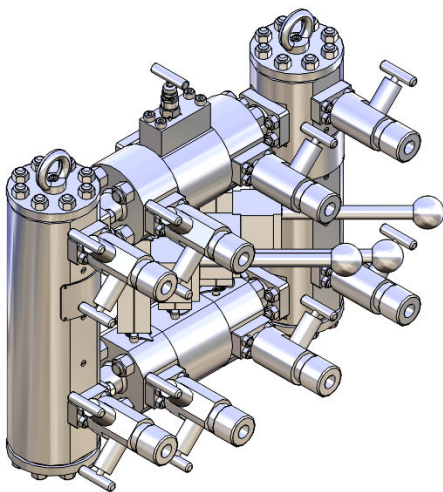
## Double Block and Bleed Filter *next generation!*

The „BFD-C Double Block and Bleed“ of the *next generation* with its innovative switch-over valve demonstrates the latest advancement of the „Double Block and Bleed“ principle and fulfills the necessary requirement for absolute security.

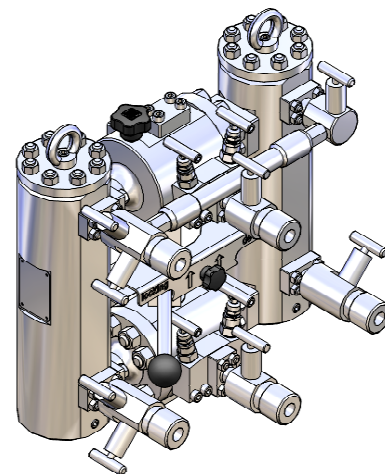
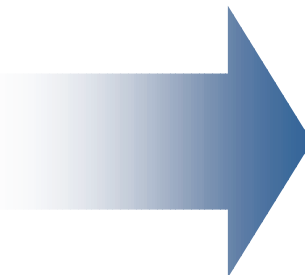
## Highest security is achieved by:

- Reduced number of seals
- Safe handling - single switch-lever
- Switch-lever safety interlock mechanism
- Fewer connections for vent, drain and bleed
- Proven leakage rates of individual seals within the ball valve  
<  $1,37 \times 10^{-4}$  mbar l/s

## High End Gas Filtration



Conventional execution



*next generation!*

## DESCRIPTION

Gas coalescence filter as Double Block and Bleed execution  
Switch-over valve as ball valve with double sealing, bleed via needle valves  
Vent and drain via needle valves  
Connections screwed or flanged